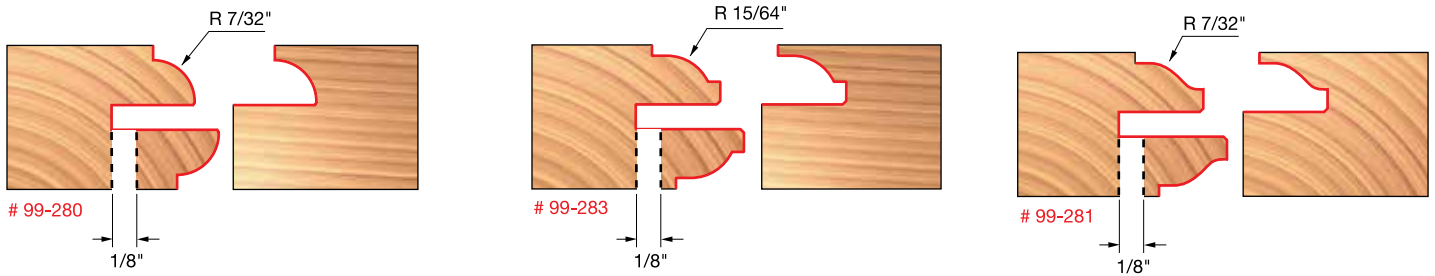
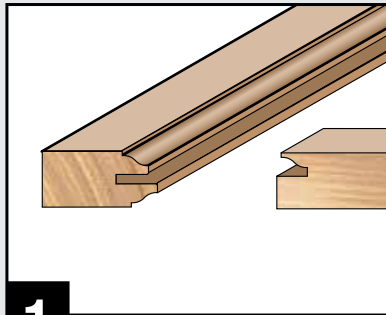


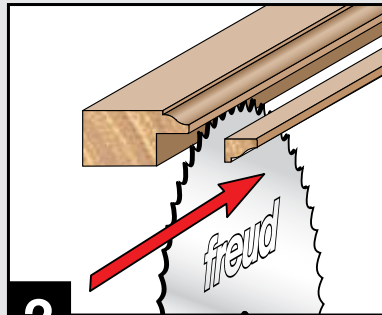
Freud Router Bits: 99-280, 99-281, 99-283



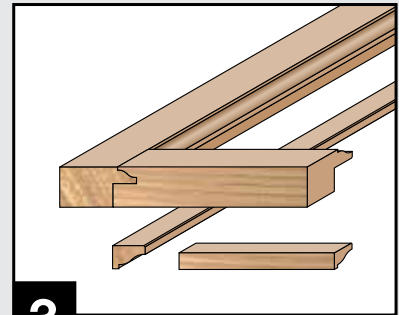
Steps To Perfect Glass Cabinet Doors



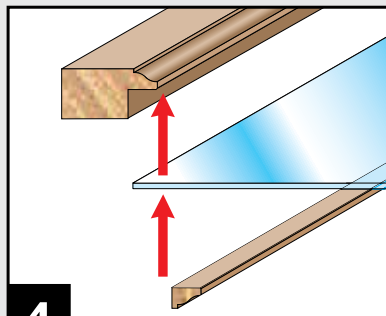
1 Cut profiles on stiles and rails using the Freud Recoverable Bead Glass Door Bit Set



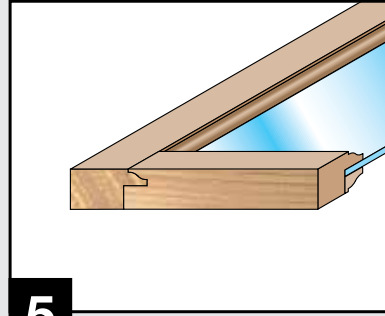
2 Remove beads with 1/8" kerf saw blade (10" Freud LM72 or LM74 Series recommended)



3 Assemble stiles and rails. Miter cut beads to size



4 Install 1/8" glass and secure with beads



5 Now you have cabinet doors that look as good open as they do closed