

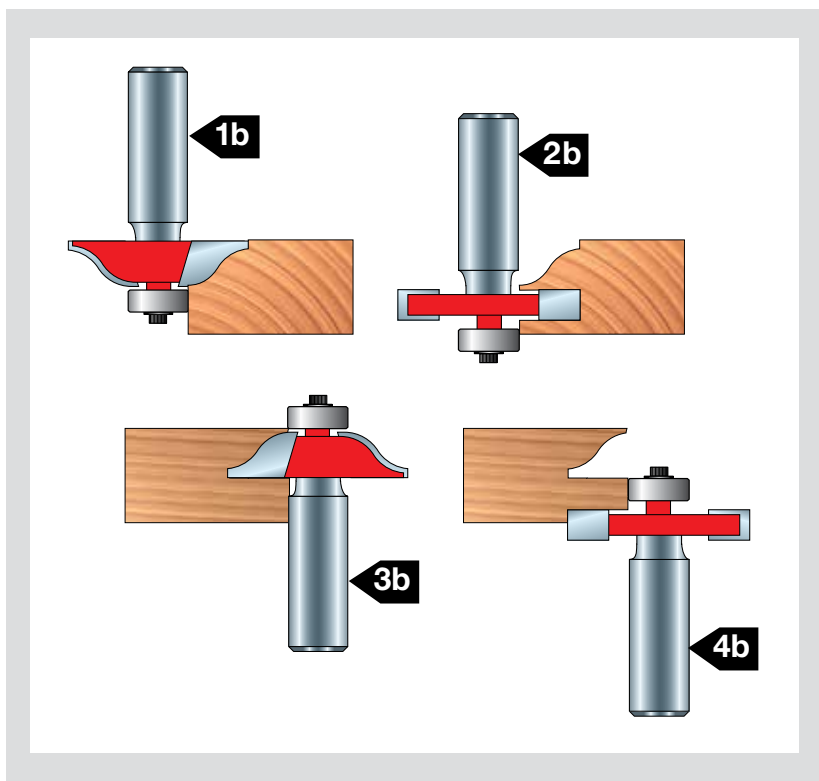
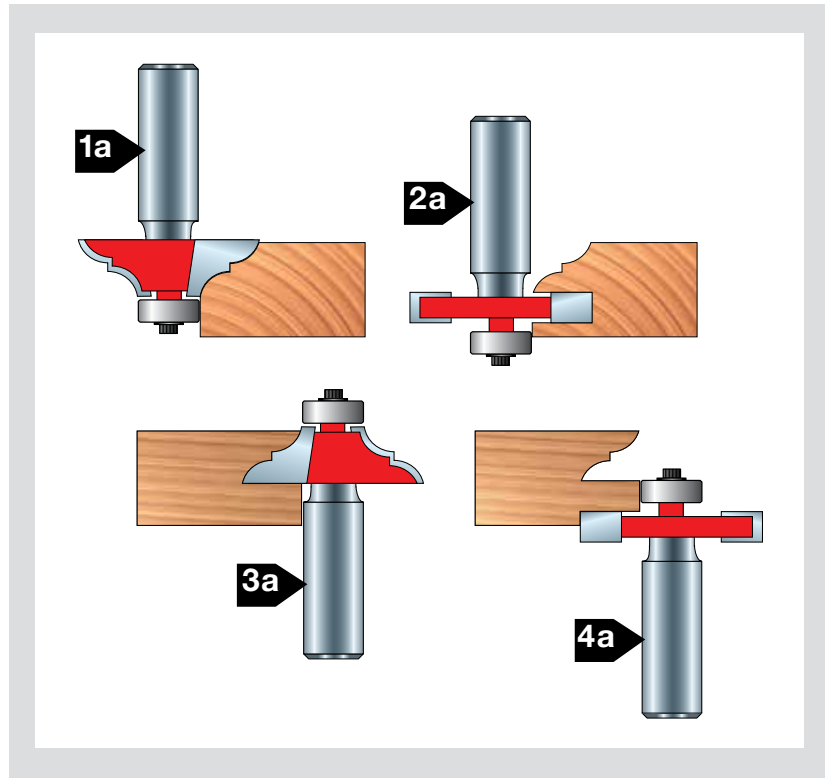
Freud Router Bit: 99-060, 99-061, 99-062

1a
Stile Cut Profile Using Bit
99-060

2a
Panel Slot Cut Using
Bit # 99-062

3a
Cope Cut Profile Using
Bit # 99-060

4a
Tongue Back Cut Using
Bit # 99-062



1b
Stile Cut Profile Using Bit
99-061

2b
Panel Slot Cut Using
Bit # 99-062

3b
Cope Cut Profile Using
Bit # 99-061

4b
Tongue Back Cut Using
Bit # 99-062