

Shooting Board Track

The Veritas® Shooting Board Track provides a straight, durable track base for a user-made shooting board. Available in two lengths, 16" and 24", the $3\frac{5}{8}$ " wide aluminum extrusion is intended to be used with purpose-designed shooting planes that require a guided track, such as the Veritas Shooting Plane. It will work with any shooting plane having a nominal $2\frac{1}{8}$ " wide running surface (e.g., the Stanley #51 Shoot Plane).

The track comes with a 1" wide adjustable formed rail and three pieces of 1" wide UHMW (low-friction) tape.

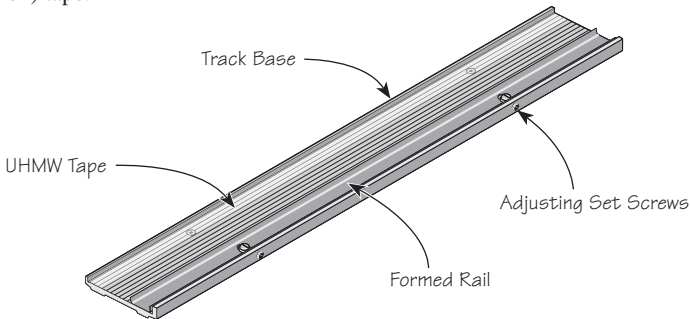


Figure 1: Components of the Veritas Shooting Board Track.

Installation

The track base will fit in a $3\frac{5}{8}$ " wide by $\frac{1}{2}$ " deep opening.

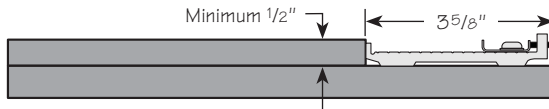


Figure 2: Space required for shooting board track.

Install the track base (set screws facing out) onto your shooting board, as shown in **Figure 3**. Secure the track base using the four included $\#8 \times \frac{3}{4}$ " flat-head screws.

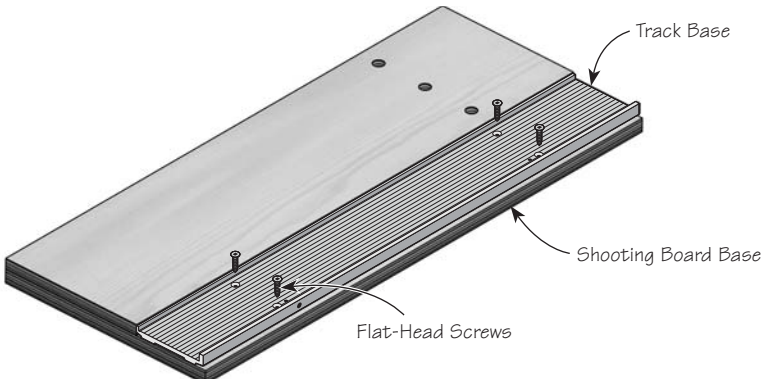


Figure 3: Installing the track base onto your shooting board.

Apply a piece of low-friction tape along the guiding edge of the formed rail and wrap it onto the bottom of the rail, as shown in **Figure 4**. It may be necessary to trim the tape to clear the slots.

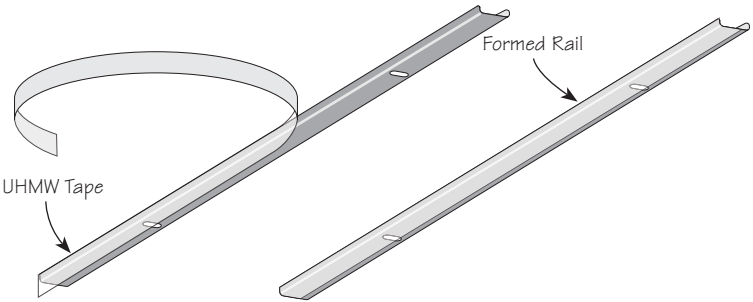


Figure 4: Installing low-friction tape on formed rail.

Place the formed rail onto the track base with the low-friction tape facing in so that the shooting plane will run against the tape, as shown in **Figure 5**. Install the pan-head screws and washers, but **do not** fully tighten the screws. Back off the adjusting set screws.

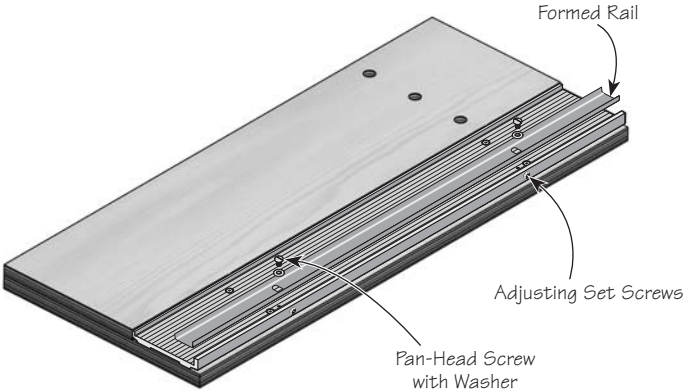


Figure 5: Installing the formed rail onto the track base.

Center the shooting plane in the track base. Adjust the set screws until the shooting plane is suitably captured in the track base, but can still move freely along it.

Tip: Use a thin paper shim between the shooting plane and the track sidewall to create a little bit of clearance.

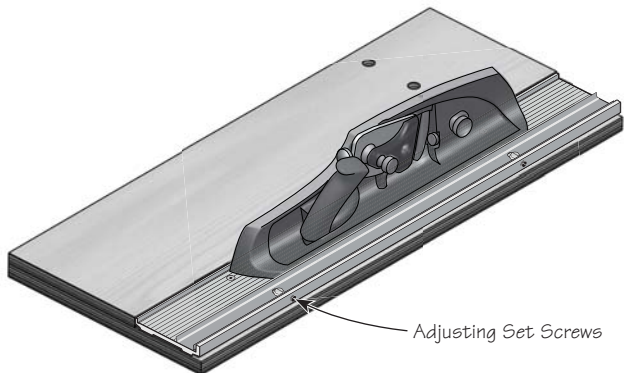


Figure 6: Adjusting the formed rail to match the width of the shooting plane's sole.

Apply the remaining two pieces of low-friction tape as shown in **Figure 7**.

Install your shooting board fence and ensure it is square to the track.

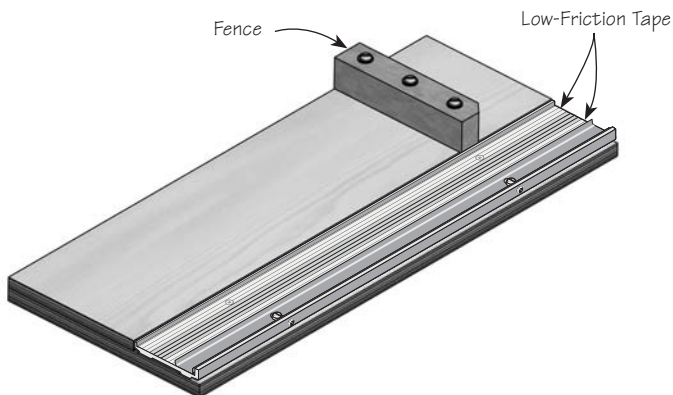


Figure 7: Installing the low-friction tape and your shooting board fence.